

Plug-in sockets and accessories

GZMB80

For RM84, RMP84, RM85
RM85 inrush, RMP85
RM85 105 °C sensitive,
RMB841, RMB851,
RM87L, RM87L sensitive,
RM87P, RM87P sensitive

Spring terminals
Max. cross section
of the cables:

1 x 0,2...1,5 mm²
(1 x 24...16 AWG)

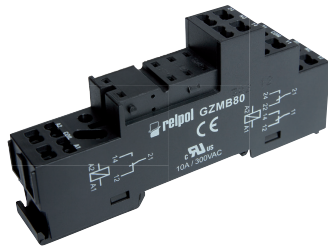
Length of the cable
deinsulation: 9...11 mm

35 mm rail mount

acc. to PN-EN 60715

97 x 16 x 45,2(69) mm

Two poles, 5 mm pinout
10 A, 300 V AC



GZMB80-0040



TR

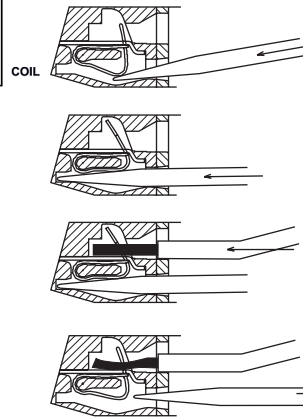
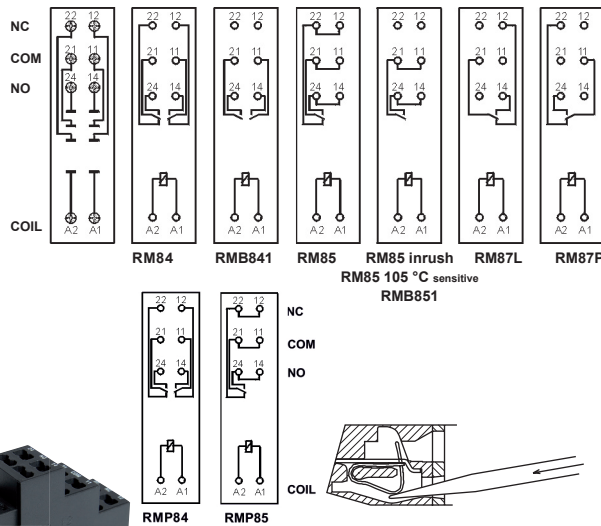


Module type M...

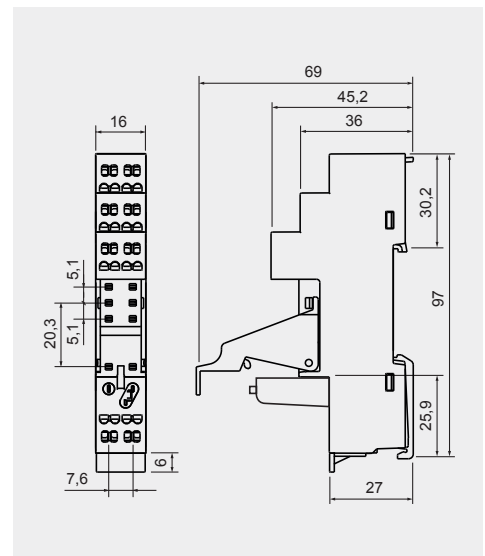


GZM80-0041

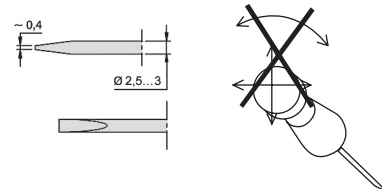
Connection diagrams ⑥



Dimensions



The drawings present the sequence of operations in course of inserting wires to the spring terminal, and the recommended screwdriver to be used for opening of case springs, comply with the DIN 5264 FORM „A“.



Accessories ①

Wire connection

EC 50

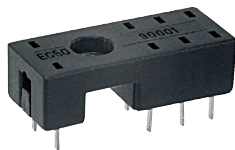
For RM84, RMP84, RM85, RM85 inrush,
RM85 105 °C sensitive, RMP85
RMB841, RMB851,
RM87L, RM87L sensitive,
RM87P, RM87P sensitive,
RM83, RM94

For PCB

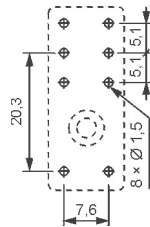
31,3 x 12,7 x 9 mm

Two poles, 5 mm pinout

8 A, 300 V AC



Pinout



MP25-2

MH25-2

RM81-0001

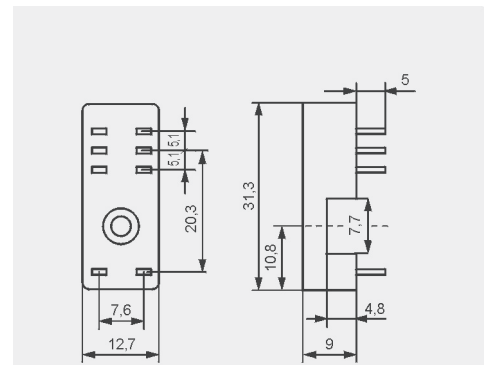


MP16-2

MH16-2

GD-0025

Dimensions



PW80

For RM84, RM85, RM85 inrush,
RM85 105 °C sensitive,
RMB841, RMB851,
RM87L, RM87L sensitive,
RM87P, RM87P sensitive,
RM83, RM94

For PCB

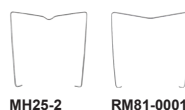
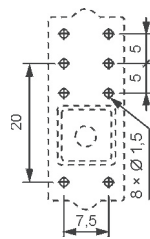
34,6 x 12,9 x 6,6 mm

Two poles, 5 mm pinout

8 A, 250 V AC

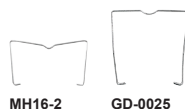


Pinout



MH25-2

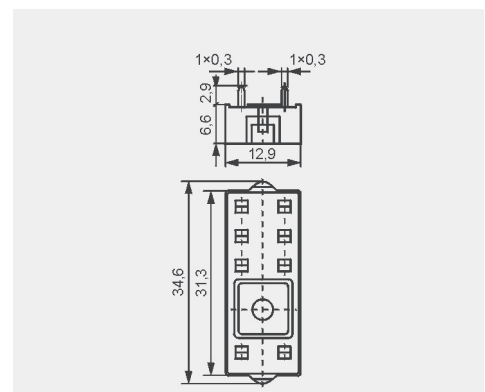
RM81-0001



MH16-2

GD-0025

Dimensions



① Mounting and sub-assemblies of accessories in the socket - see page 15. Signalling / protecting modules type M... - see page 20. ② In the bracket the height of socket with retainer / retractor clip is shown. ③ For RM85, RM85 inrush, RM85 105 °C sensitive, RMB851: loads above 12 A (GZT80, GZM80) or 10 A (GZS80, GZMB80) require bridging pairs of terminals: 11 with 21, 12 with 22, 14 with 24 - see www.repol.com.pl; for RMB841, RMB851 - see www.repol.com.pl (energizing of bistable relays)

Interconnection strips ZGGZ80



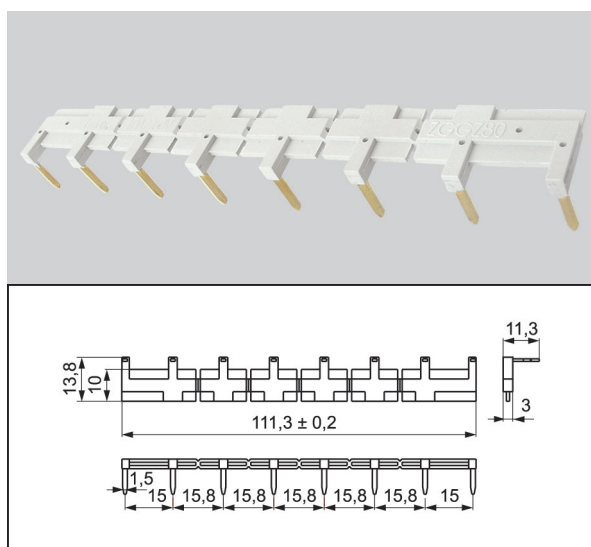
ZGGZ80 for:

Plug-in sockets	Relays for plug-in sockets	Interface relays ③
GZT80	RM84, RM85, RM85 inrush, RM85 105 °C sensitive, RMB841, RMB851, RM87L ④, RM87P ④, RM87N ④	PI84-...-M..G (RM84 + GZT80)
GZM80		PI84-...-00L. (RM84 + GZM80)
GZS80		PI85-...-M..G (RM85 + GZT80)
GZT92		PI85-...-00L. (RM85 + GZM80)
GZM92		
GZS92		
ES 32	RM96 1 CO	

③ Interface relay PI84 (PI85) is offered as a set: plug-in socket GZT80 or GZM80 + miniature relay RM84 (RM85) + signalling / protecting module type M... + retainer / retractor clip GZT80-0040 + description plate GZT80-0035. ④ Also versions RM87. sensitive

Interconnection strip ZGGZ80

- designed for the co-operation with plug-in sockets of miniature relays and with interface relays PI84 and PI85, which are equipped with screw terminals; sockets and relays are mounted on 35 mm rail mount acc. to PN-EN 60715,
- bridges common input signals (coil terminals A1 or A2) or output signals - see photo at the top,
- maximum permissible current is 10 A / 250 V AC,
- possibility of connection of 8 sockets or relays,
- colours of strips: **ZGGZ80-1** grey, **ZGGZ80-2** black.



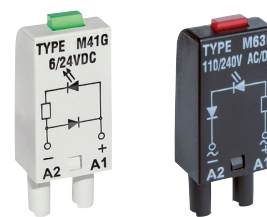
Signalling / protecting modules type M...

For sockets type:

GZT80, GZM80, GZS80, GZMB80, GZT92, GZM92, GZS92, ES 32, GZT2, GZM2, GZMB2, GZT3, GZM3, GZT4, GZM4, GZMB4

Modules type M... are parallelly connected with relay coil.

Polarity P: -A1/+A2. Polarity N: +A1/-A2.



Modules type M...	Layout	Voltage	Type of module ① ②
Module D (polarization P) It limits overvoltage on DC coils.		6/230 V DC	M21P
Module D (polarization N) It limits overvoltage on DC coils.		6/230 V DC	M21N
Module LD (polarization P) It limits overvoltage on DC coils. Coil energizing indication.		6/24 V DC 24/60 V DC 110/230 V DC	M31R, M31G M32R, M32G M33R, M33G
Module LD (polarization N) It limits overvoltage on DC coils. Coil energizing indication.		6/24 V DC 24/60 V DC 110/230 V DC	M41R, M41G M42R, M42G M43R, M43G
Module RC It protects against EMC disturbance. It limits overvoltage.		6/24 V AC 24/60 V AC 110/240 V AC	M51 M52 M53
Module L Coil energizing indication.		6/24 V AC/DC 24/60 V AC/DC 110/230 V AC/DC	M61R, M61G M62R, M62G M63R, M63G
Module LV It limits overvoltage on AC and DC coils. Coil energizing indication.		6/24 V AC/DC 24/60 V AC/DC 110/230 V AC/DC	M91R, M91G M92R, M92G M93R, M93G
Module V It limits overvoltage on AC and DC coils. No indication.		24 V AC 130 V AC 230 V AC	M71 M72 M73
Module R It limits overvoltage on AC coils.		110/230 V AC	M103

① M...R - LED red, M...G - LED green

② When ordering modules indicate their color: gray or black.

